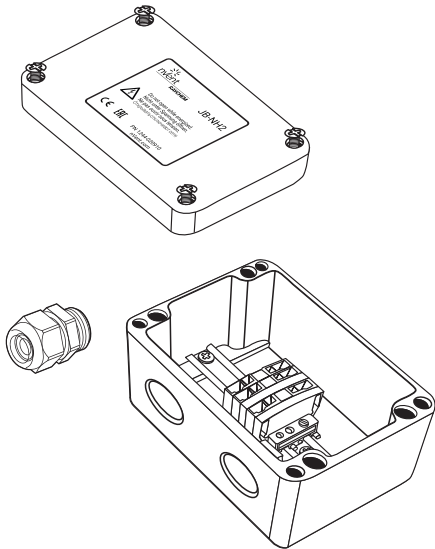


JUNCTION BOX FOR MODULAR SYSTEM



DESCRIPTION

The nVent RAYCHEM JB-NH2 is a non-hazardous junction box for use with various heating cable types with M25 connection kits.

It can be used to make a power connection, splice, or end seal. For use with nVent RAYCHEM industrial parallel self-regulating heating cables.

Through the two entries a heating cable and a power cable, or two heating cables can be accommodated and connected to the DIN-rail mounted terminals. A power cable (M25) gland is included.

The box can be wall mounted via the four holes moulded in the back of the box. For pipe mounting, it is recommended that this box is used with a nVent RAYCHEM support bracket.

ENCLOSURE

Area of use	Ordinary (non-hazardous)
Protection	IP66
Entries	2 x M25
Exposure temperature	-40 °C to +90°C
Base	Grey glass filled polymer
Lid	Grey glass filled polymer

TERMINALS

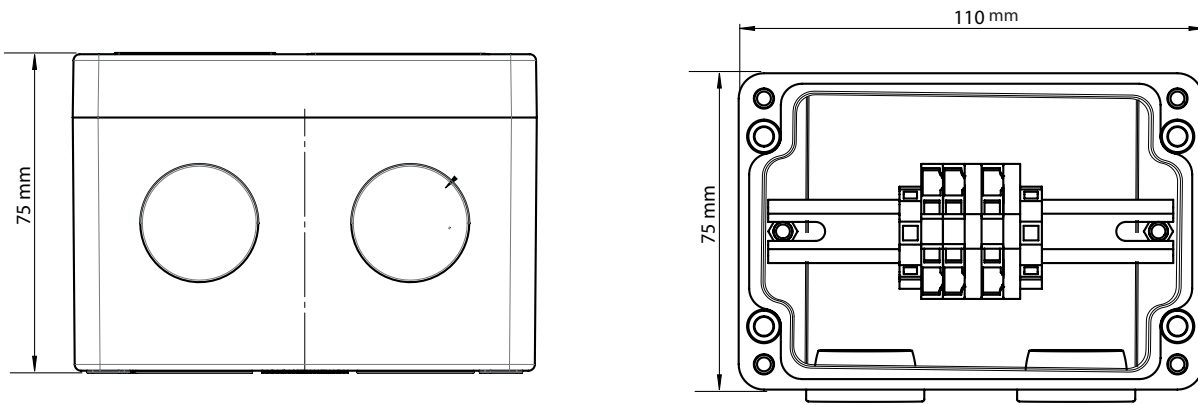
MSB 2.5	Din rail mounted, spring-type terminals
Voltage rating	800 Vac
Max. conductor size	Stranded: 2,5 mm ² Solid: 4 mm ²
Current rating	Nominal 24 A - Maximum 30 A with 4 mm ² conductor cross section
Quantity	2 phase and 1 PE

APPROVALS



Products are in compliance with IEC/EN 62395-1:2013
DNV approval pending

DIMENSIONS (IN MM)



ACCESSORIES

Junction box support bracket SB-100, SB-101, SB-110, SB-111

ORDERING DETAIL

Part description JB-NH2
PN (Weight) 1244-020910 (0.34 kg)

North America

Tel +1.800.545.6258
Fax +1.800.527.5703
thermal.info@nvent.com

Europe, Middle East, Africa

Tel +32.16.213.511
Fax +32.16.213.604
thermal.info@nvent.com

Asia Pacific

Tel +86.21.2412.1688
Fax +86.21.5426.3167
cn.thermal.info@nvent.com

Latin America

Tel +1.713.868.4800
Fax +1.713.868.2333
thermal.info@nvent.com



nVent.com

Our powerful portfolio of brands:

CADDY ERICO HOFFMAN RAYCHEM SCHROFF TRACER