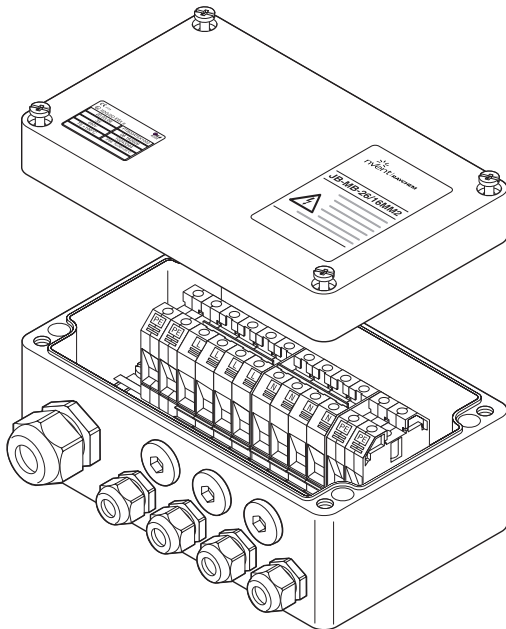
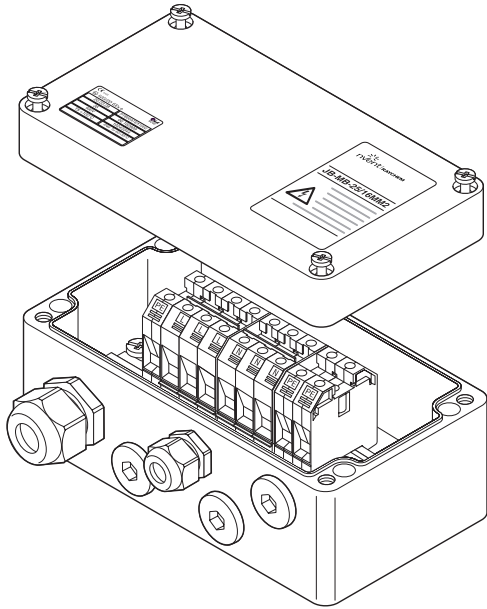


JB-MB-25/16MM2 AND JB-MB-26/16MM2

MARSHALLING BOX



Both connection boxes are ATEX approved polyester marshalling boxes that can be used in hazardous areas.

The nVent RAYCHEM JB-MB-25/16MM2 is intended to split a power cable into a maximum of four subsequent heat-tracing feeders, while the JB-MB-26/35MM2 allows the connection of maximum seven subsequent heat-tracing feeders. They are particularly suited for powering multiple short heat-tracing circuits from a single supply point, typically in instrumentation areas or where the power infrastructure is limited.

Cable connection is accomplished via DIN rail mounted screw terminals that allow the connection of a wide range of cable cross sections. The terminals are already equipped with the necessary terminal jumpers to minimize installation time.

Both boxes can be wall mounted via the four holes moulded in base of each box.

The JB-MB-25/16MM2 can also be pipe mounted with a standard support bracket.

TYPICAL USE**JB-MB-25/16MM2**

Marshalling box

JB-MB-26/16MM2

Marshalling box

ENTRIES

1 x M32
4 x M25

1 x M32
7 x M25

KIT CONTENTS

- 1 junction box with Weidmüller screw terminals on DIN rail, two sets bridged per three and three earth terminals,
- 1 M32 Hazardous area approved cable gland for power cables with \varnothing of 14 to 21 mm,
- 1 M25 Hazardous area approved cable gland for power cables with \varnothing of 8 to 15mm,
- 3 M25 stopping plugs

- 1 junction box with Weidmüller screw terminals on DIN rail, two sets bridged per four and four earth terminals,
- 1 M32 Hazardous area approved cable gland for power cables with \varnothing of 14 to 21 mm,
- 4 M25 Hazardous area approved cable glands for power cables with \varnothing of 8 to 15mm,
- 3 M25 stopping plugs

APPROVALS

PTB 00 ATEX 1002

Ⓔ II 2G/D EEx e II T6 IP66



RU C-BE.ИМ43.В.01712
ООО «ТехИмпорт»
Ambient temp range:
-55°C...+55°C

1Ex d e mb ia [ia] IIC T6...T4 Gb
Ex tb IIIC T85°C...T135°C Db Ta
-55°C...+55°C IP66

Made in India

PTB 00 ATEX 1002

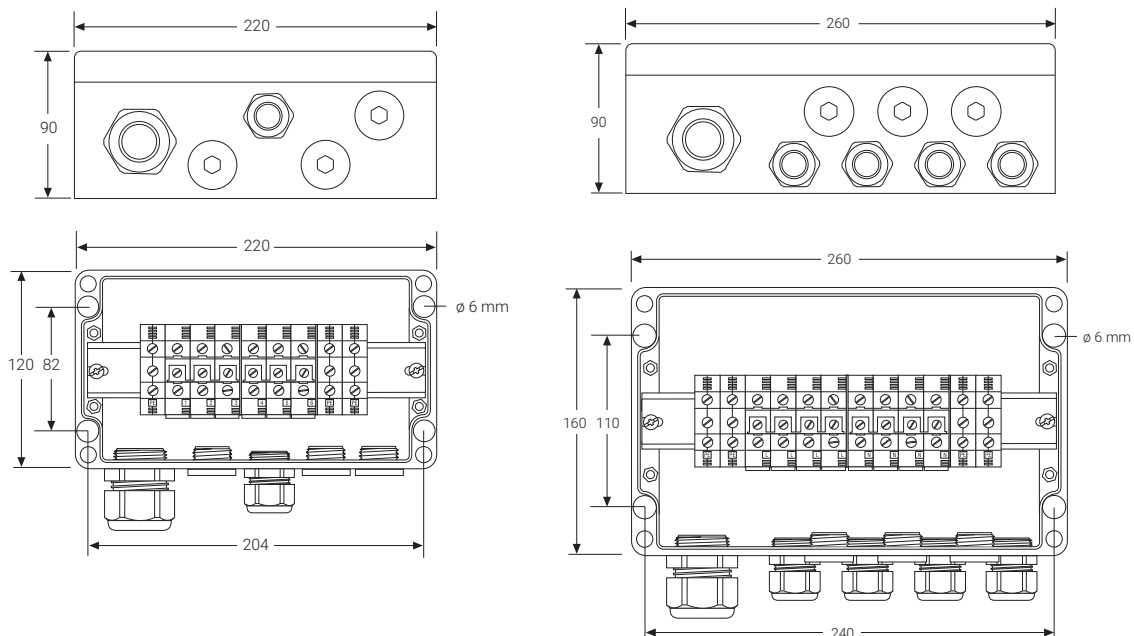
Ⓔ II 2G/D EEx e II T6 IP66



RU C-BE.ИМ43.В.01712
ООО «ТехИмпорт»
Ambient temp range:
-55°C...+55°C

1Ex d e mb ia [ia] IIC T6...T4 Gb
Ex tb IIIC T85°C...T135°C Db Ta
-55°C...+55°C IP66

Made in India

DIMENSIONS (IN MM)

MATERIALS OF CONSTRUCTION

	JB-MB-25/16MM2	JB-MB-26/16MM2
Box & lid	Glass filled polyester	Glass filled polyester
Sealing gasket	Silicone rubber	Silicone rubber
Lid fixing screws	Stainless steel (captive)	Stainless steel (captive)

INGRESS PROTECTION

IP66	IP66
------	------

AMBIENT TEMPERATURE RANGE

-55°C to +55°C	-55°C to +55°C
----------------	----------------

TERMINALS

Quantity & type	9 pcs Weidmüller screw terminals, bridged per 3, 6 x WDU16, 3 x WPE16, Max. 8 fully loaded phase/neutral terminals; max. 12 terminals in total	12 pcs Weidmüller screw terminals, bridged per 4, 8 x WDU16 and 4 x WPE16, Max. 10 fully loaded phase/neutral terminals; max. 15 terminals in total
Labelling	1, 2, 3, 4, 5, 6 and PE	L, N and P.E.
Minimum conductor size	1.5 mm ² stranded & solid	1.5 mm ² stranded & solid
Maximum conductor size	25 mm ² stranded, 16 mm ² solid	25 mm ² stranded, 16 mm ² solid

MAXIMUM OPERATING VOLTAGE

690 V a.c.	690 V a.c.
------------	------------

MAXIMUM OPERATING CURRENT

50A	50A
-----	-----

ACCESSORIES (TO BE ORDERED SEPARATELY)

Support bracket PN	SB-125 165886-000	N.A. (wall mounting)
M25 Power cable gland PN	GL-55-M25 (1 included) 774424-000	GL-55-M20 (4 included) 774424-000
M32 Power cable gland PN	GL-45-M32 (included) 1244-000847	GL-45-M32 (included) 1244-000847
M25 Stopping plug PN	HWA-PLUG-M25-PLASTIC (3 included) 434994-000	HWA-PLUG-M25-PLASTIC (3 included) 434994-000
16 mm ² Phase terminal PN	HWA-WDM-PHASE-16 (6 included) 1244-006992	HWA-WDM-PHASE-16 (8 included) 1244-006992
16 mm ² Earth terminal PN	HWA-WDM-EARTH-16 (3 included) 1244-006993	HWA-WDM-EARTH-16 (4 included) 1244-006993
Terminal jumper for bridging 2 terminals PN	HWA-WDM-JUMPER-16-2 1244-006997	HWA-WDM-JUMPER-16-2 1244-006997
Terminal jumper for bridging 3 terminals PN	HWA-WDM-JUMPER-16-3 1244-006998	HWA-WDM-JUMPER-16-3 1244-006998
Terminal jumper for bridging 4 terminals PN	HWA-WDM-JUMPER-16-4 1244-006999	HWA-WDM-JUMPER-16-4 1244-006999
Endplate PN	HWA-WDM-PLATE 124-007004	HWA-WDM-PLATE 1244-007004

ORDERING DETAILS

Order reference	JB-MB-25/16MM2	JB-MB-26/16MM2
Part number (Weight)	1244-006656 (0.9 kg)	1244-006657 (1.9 kg)

North America

Tel +1.800.545.6258
Fax +1.800.527.5703
thermal.info@nvent.com

Europe, Middle East, Africa

Tel +32.16.213.511
Fax +32.16.213.604
thermal.info@nvent.com

Asia Pacific

Tel +86.21.2412.1688
Fax +86.21.5426.3167
cn.thermal.info@nvent.com

Latin America

Tel +1.713.868.4800
Fax +1.713.868.2333
thermal.info@nvent.com



nVent.com

Our powerful portfolio of brands:

CADDY ERICO HOFFMAN RAYCHEM SCHROFF TRACER